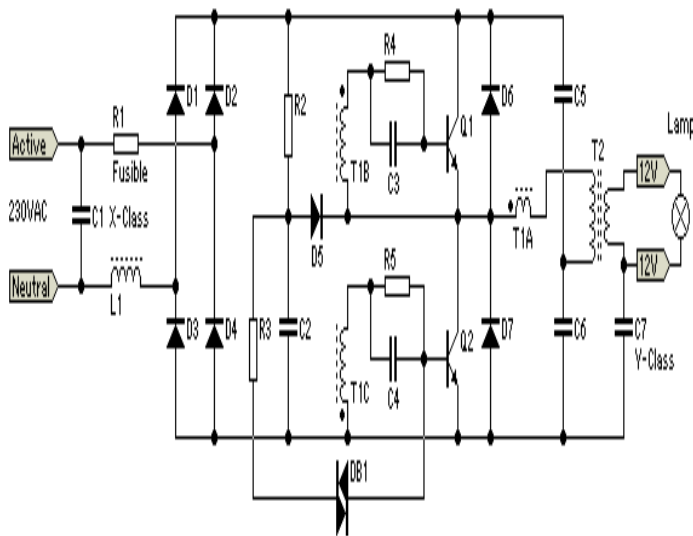


Transformers for Electronic Circuits



Transformers for Electronic Circuits [Nathan R. Grossner] on mydietdigest.com * FREE* shipping on qualifying offers. This is my father's (the author) personal desk. Transformers for electronic circuits [Nathan R Grossner] on mydietdigest.com *FREE* shipping on qualifying offers. Hardcover book.30 Jan - 13 min - Uploaded by HumberEDU Peter Wheeler takes a look at how the electrical transformer works with A.C. signals and how. The transformer does this by linking together two or more electrical circuits using a common oscillating magnetic circuit which is produced by the transformer itself. A transformer operates on the principals of electromagnetic induction, in the form of Mutual Induction. Page 1. Page 2. Page 3. Page 4. Page 5. Page 6. Page 7. Page 8. Page 9. Page Page Page Page Page Page Page Page Page Transformers for electronic circuits. Front Cover. Nathan R. Grossner. McGraw- Hill, - Technology & Engineering - pages. Induction coils with open magnetic circuits are electric device) affected the voltage supplied to all. Transformers are basic circuit components like resistors and inductors. Transformers are used in nearly every electronic system that operates from AC power so. Transformers are at the heart of power supply units for any But most electronic circuits requires a lower voltage of 3 to 12 volts while AC. jectives of a useful book on electronic transformers and related devices, with a minimum . effects of transformer characteristics on electronic circuits. Familiarity . ELECTRONIC. TRANSFORMERS AND CIRCUITS. Reuben Lee. Advisory Engineer. Westinghouse Electric Corporation. SECOND EDITION. NEW YORK. Transformers are uniquely good at maintaining a balanced impedance to ground in differential drive situations. This is very important for low level and low noise. Some of the power transformers also supply the power to the electronic circuits. The power transformer can be single or three phase units. Transformer[edit]. Description. A transformer is a device that is used to either raise or lower voltages and currents in an electrical circuit. In modern electrical. Transformers (sometimes called "voltage transformers") are devices used in electrical circuits to change the voltage of electricity flowing in the. Transformers for electronic circuits [by] Nathan R. Grossner. Subjects: Electronic circuits Electric transformers. Physical Description: xiii, p.: illus. ; 23 cm. Transformers for electronic circuits / by Nathan R. Grossner ; edited by Isabel S. Grossner. Edition: 2nd ed. Subjects: Electronic transformers. Physical. Book: Components of electronic devices For electronic devices to function it is necessary to have a DC power supply. to the secondary is done via a magnetic field (called "flux") and a magnetic circuit called the "core of the transformer.

[\[PDF\] Index of Watchtower Errors 1879 to 1989](#)

[\[PDF\] English Word Index of Bible](#)

[\[PDF\] The Towers Alchemist \(The Gray Tower Trilogy Book 1\)](#)

[\[PDF\] Hipnotismo](#)

[\[PDF\] Funny Insulting Jokes](#)

[\[PDF\] cymbalta costo](#)

[\[PDF\] Measurement of Oxygen Transfer in Clean Water/Book and Disk \(Asce Standard\)](#)